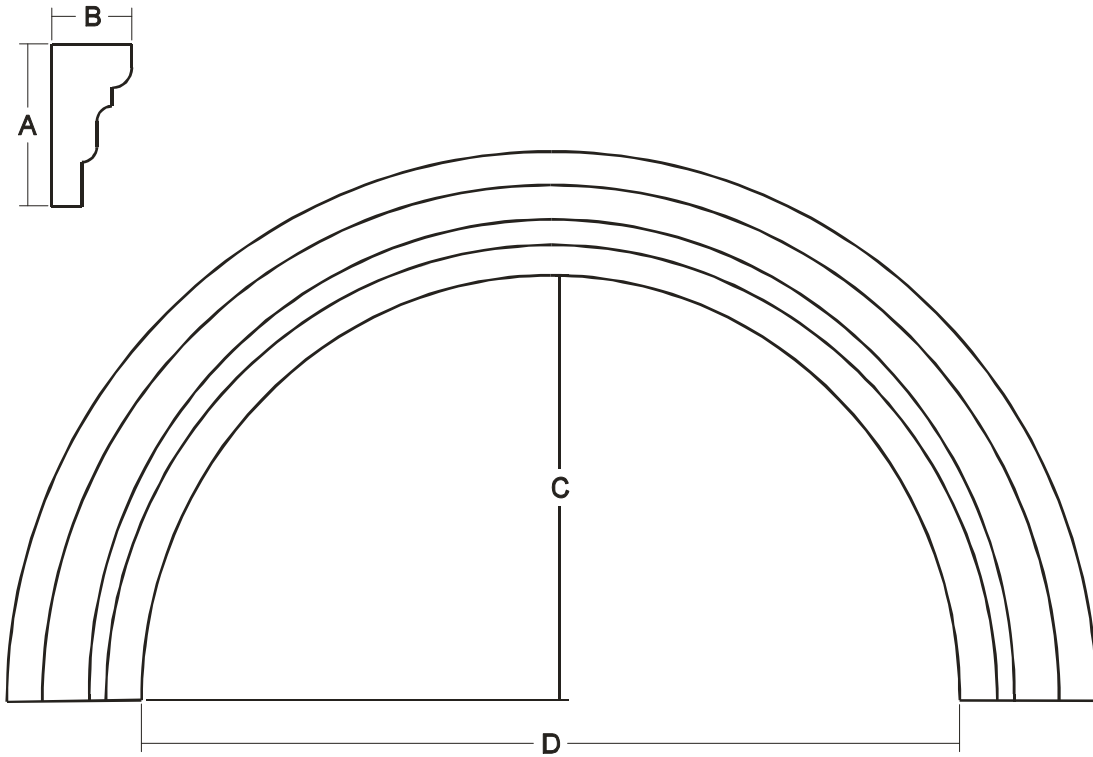


Arches

Arches may be manufactured using any of the profiles in our catalog, or you may provide your own design.

The arches are manufactured in pieces that are approximately 4 foot in length.

The following example identifies the measurements required.



<u>Legend</u>	
A	= Profile Height
B	= Profile Width
C	= Arch Height (inside)
D	= Arch Width (inside)